

43x Optical Zoom Lens Camera

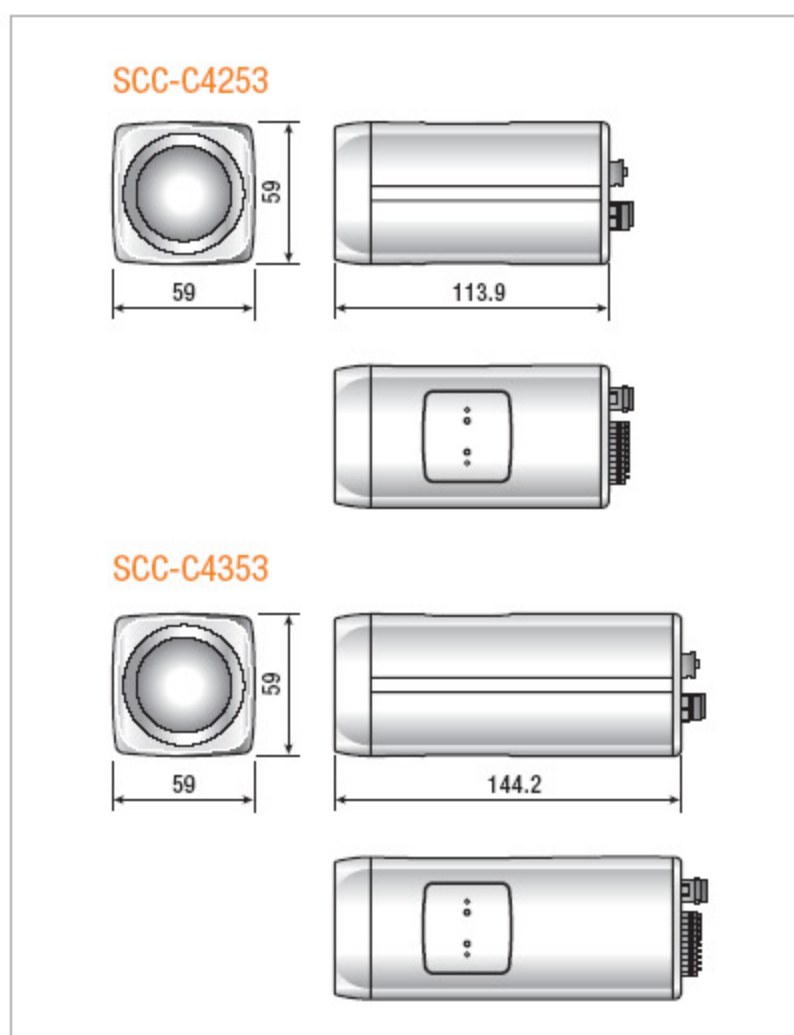
SCC-C4253/C4353 NEW



Features

- 1/4" SONY 410K/470K Pixels Super HAD IT CCD
- 43x(f=3.2~138.5mm) Optical & 16x(0.1step) Digital Zoom
- High Resolution : 600 TV Lines
- Min. illumination 0.001 Lux (F1.2, 15 IRE, Sens-up 512x, Color)
0.0001 Lux (F1.2, 15 IRE, Sens-up 512x, B/W)
- Day Night Function (ICR), Sens-up Function (512x)
- Adaptive Digital Noise Reduction (3D + 2D)
- Back Light Compensation (Area Setting)
- Advanced Motion Detection Function
- eXtended Dynamic Range (XDR)
- Privacy Mask Function (12ea)
- DIS (Digital Image Stabilization)
- CCVC (Camera Control Via Coaxial cable, Controller : SCX-RD100)
- RS-485 (Half) Control (Multi-Protocol support)
- Multi-Language OSD (E, F, G, S, I, J, R, P, C, etc) support
- Intelligent Video (Moved/Fixed/Fence/Tracking)
- Preset 512 ea, Alarm Output 1 ea
- SCC-C4253 : DC12V
SCC-C4353 : AC24V/DC12V

Dimensions (unit:mm)



Specifications

Model	SCC-C4253	SCC-C4353
Camera Type	Color/BW	
Image	Device	
	Pixels	Effective
Resolution	Horizontal	
Min. Scene Illumination	Color	Sens-up Off
		Sens up 512x
	B/W	Sens-up Off
		Sens up 512x
Functions	Number of Privacy Zone	
	Day/Night	
	Motion Detection	
	D-Zoom	
	High Speed Shutter	
	Sens Up / PIP / BLC	
	AGC	
	Auto Focus	
	Synchronization	Internal / Line Lock
	Camera ID	
	XDR (eXtended Dynamic Range)	
	DNR (Digital Noise Reduction)	
	Schedule	
	White Balance	
Video Output	VBS 1.0Vp-p	
S/N Ratio	S/N Ratio	
Lens	Focal Length	
	Min. Object Distance	
	Zoom Ratio	
	Aperture Ratio	
	Viewing	Tele
	Angle	Wide
	Lens Drive	Type
	Mount Type	
OSD	OSD	
Alarm	Output	
Remote Control	RS485, CCVC	
Environmental Conditions	Operating Temperature	
	Operating Humidity	
Power	Power Requirement	DC12V / DC12V, AC24V
	Power Consumption	4.2W / 5.6W
	LED Indicator	
Physical Specification	Dimensions (WxHxD)	
	Weight	
	Color	